

Material:

6061-T6 Aluminum - Extruded

Coating:

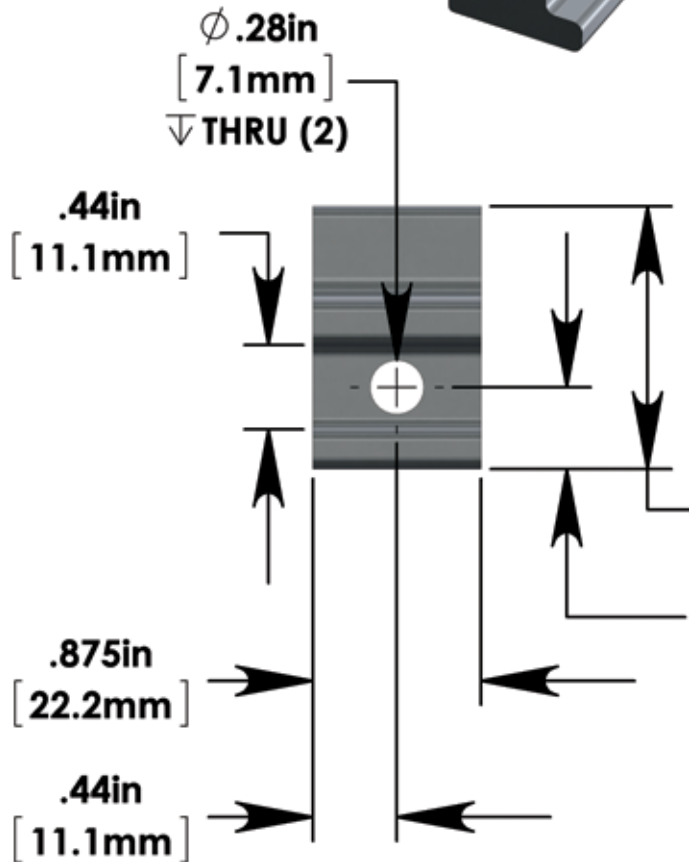
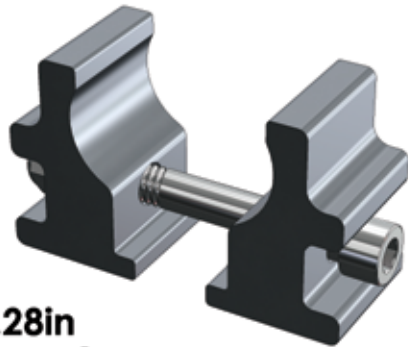
Hard Anodized - Black

Hardware:

(1) 1/4-28 x 2 1/4" Socket Head Cap Screw [F]

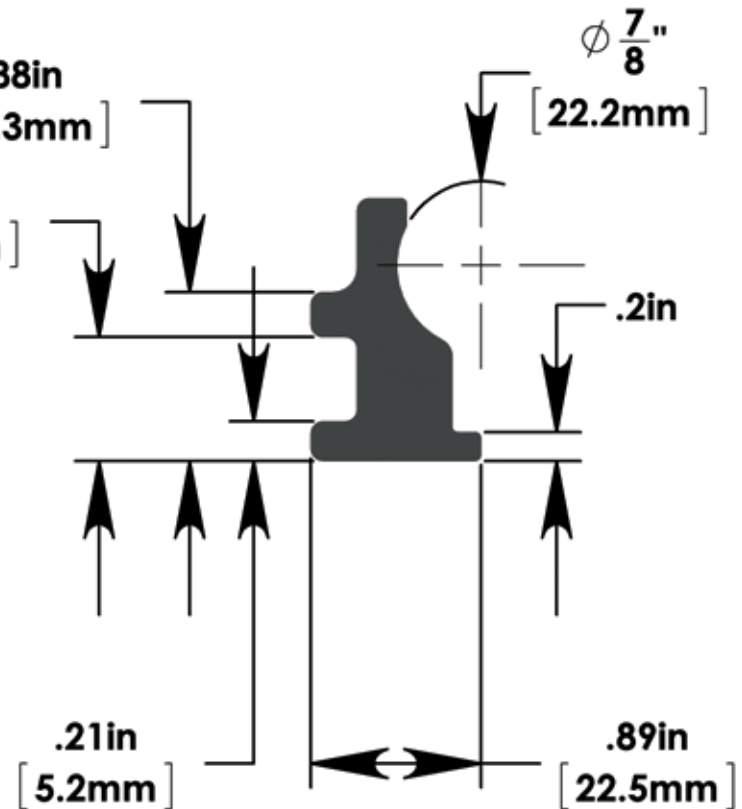
(1) 1/4-28 Lock-nut [A]

SCALE 1:1



SCALE 1:1

1.37in [34.7mm]
.43in [10.8mm]



Mount'n Mover™
by BlueSky Designs

mountnmover.com

Product:
Weight:

WC-R $\frac{7}{8}$ B, Rnd Bridge Clamp $\frac{7}{8}\text{''}$ (22.2 mm)
2.5 oz. (0.07 kg)

1-888-724-7002 (toll free) or 1-612-724-7002