

Adapter Plate 4 (WC-AP4)

Scale 1 : 1

1/4-28 threaded Hole (Qty = 5)

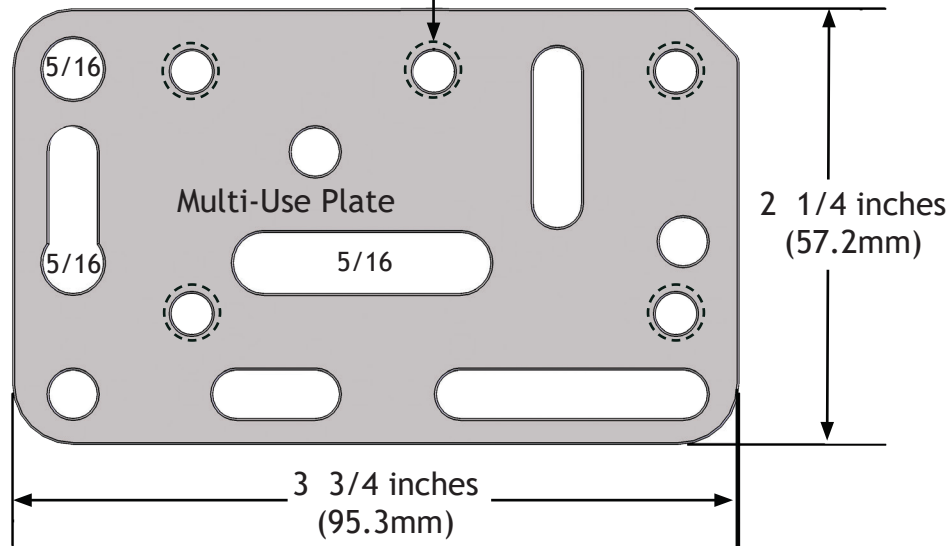


Plate to Plate Attachment Options

- Non-threaded hole to threaded hole = Good
- Non-threaded hole to non-threaded hole with nut = Good
- Threaded hole to threaded hole = **Not good**
(will damage threads!)

Hole Pairing Options

- Two holes = **BEST**
- Hole and slot (horizontal or vertical) = Good
- Slot and slot (both horizontal) = Good
- Two vertical slots = **NOT GOOD!** (could slip!)

Set Includes:

(1) Adapter Plate 4 (WC-AP4)

Hardware - Plate to Plate Attachment

(2) 1/4-28 x 1/2" Socket head cap screws

Hardware - Unitrack:

(4) M6-1 x 14 Socket head cap screws

(4) M6-1 x 10 Square nut

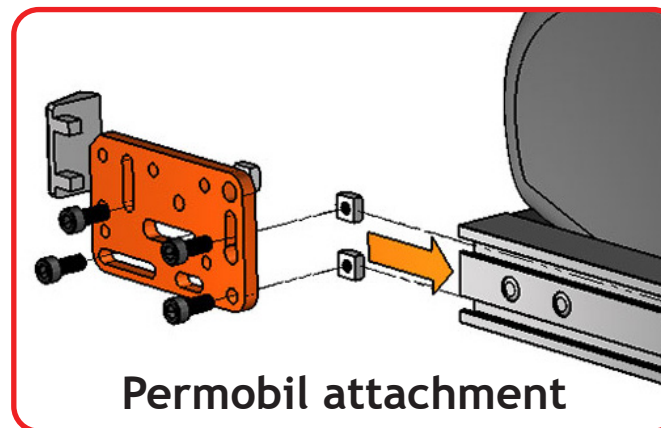
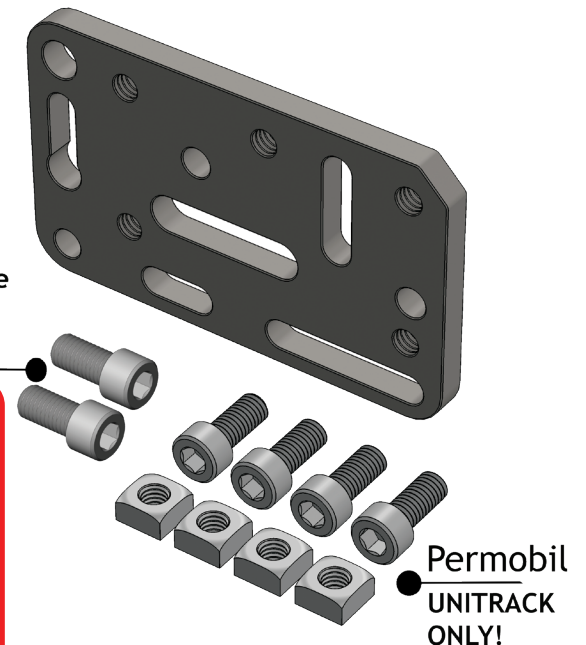


Plate to Plate Attachment



Mount'n Mover[™]
by BlueSky Designs

Product: WC-AP4, Adapter Plate 4
Weight: 7.3 oz. (0.21 kg)

Wheelchair Attachment Overview

* All plates are considered 'multi-use plates' and can be configured, combined, and used in a variety of ways.

