

Wheelchair Adapter Plate (WC-AP) Multi-Use Plate

Scale 1 : 1

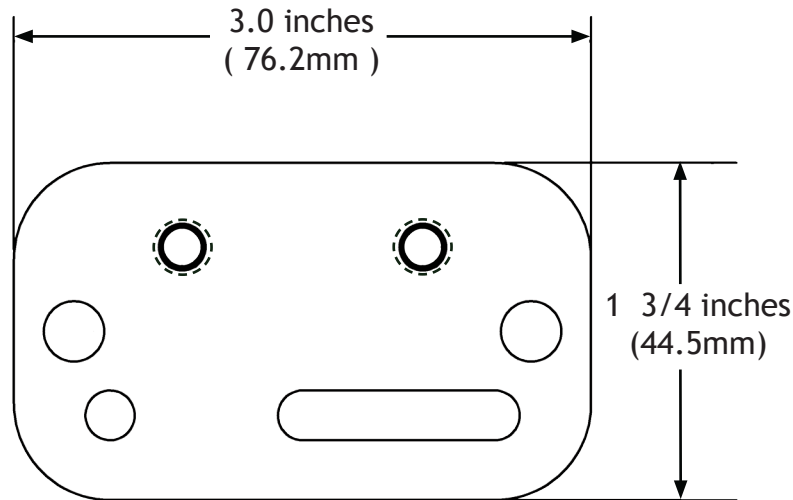


Plate to Plate Attachment Options

- Non-threaded hole to threaded hole = Good
- Non-threaded hole to non-threaded hole with nut = Good
- Threaded hole to threaded hole = Not good
(will damage threads!)

Hole Pairing Options

- Two holes = **BEST**
- Hole and slot (horizontal or vertical) = Good
- Slot and slot (both horizontal) = Good
- Two vertical slots = NOT GOOD! (could slip!)

1/4-28 Threaded Holes
(Qty = 2)

Set Includes:

- (1) Wheelchair Adapter Plate
- (2) 1/4-28 x 2 1/4" Socket head cap screws
- (2) 1/4-28 Lock-nuts



Mount'n Mover™
by BlueSky Designs

mountnmover.com

Product: WC-AP, Adapter Plate
Weight: 4.9 oz. (0.14 kg)

1-888-724-7002 (toll free) or 1-612-724-7002

pg 1 of 2

Wheelchair Attachment Overview

* All plates are considered 'multi-use plates' and can be configured, combined, and used in a variety of ways.

