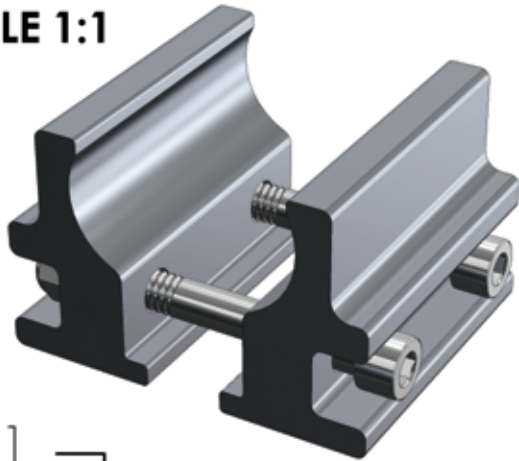


SCALE 1:1



Material:

6061-T6 Aluminum - Extruded

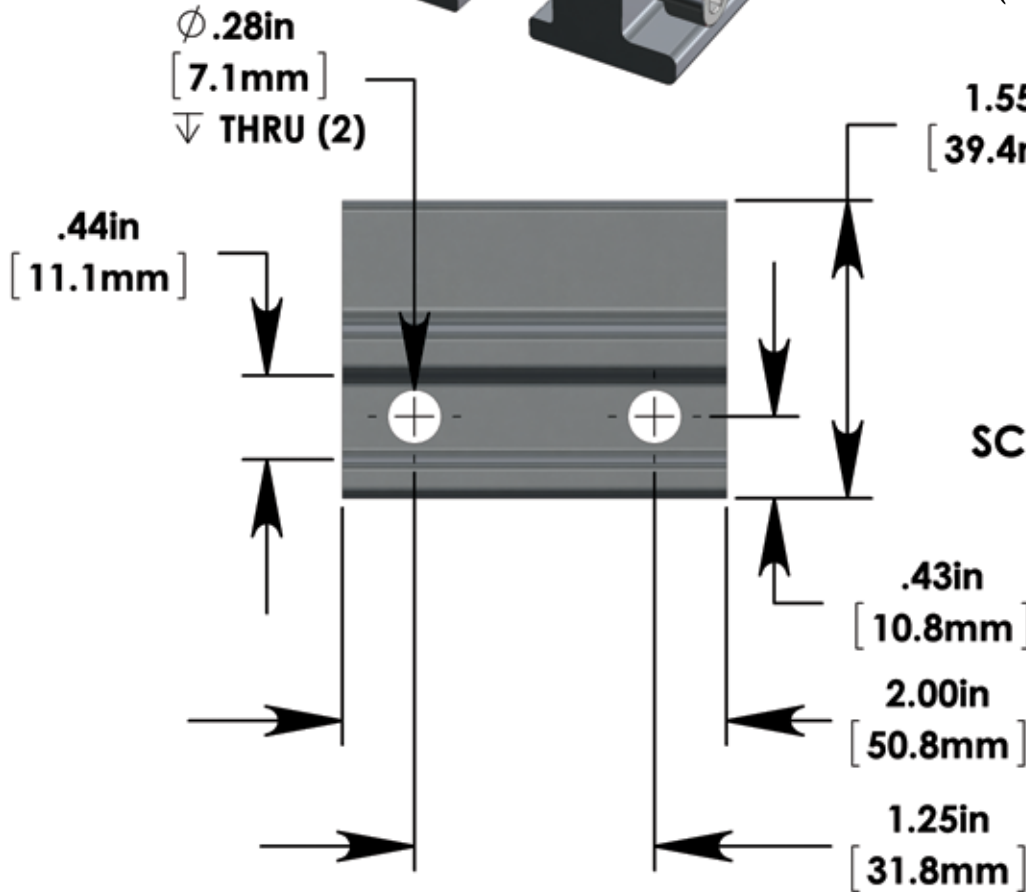
Coating:

Hard Anodized - Black

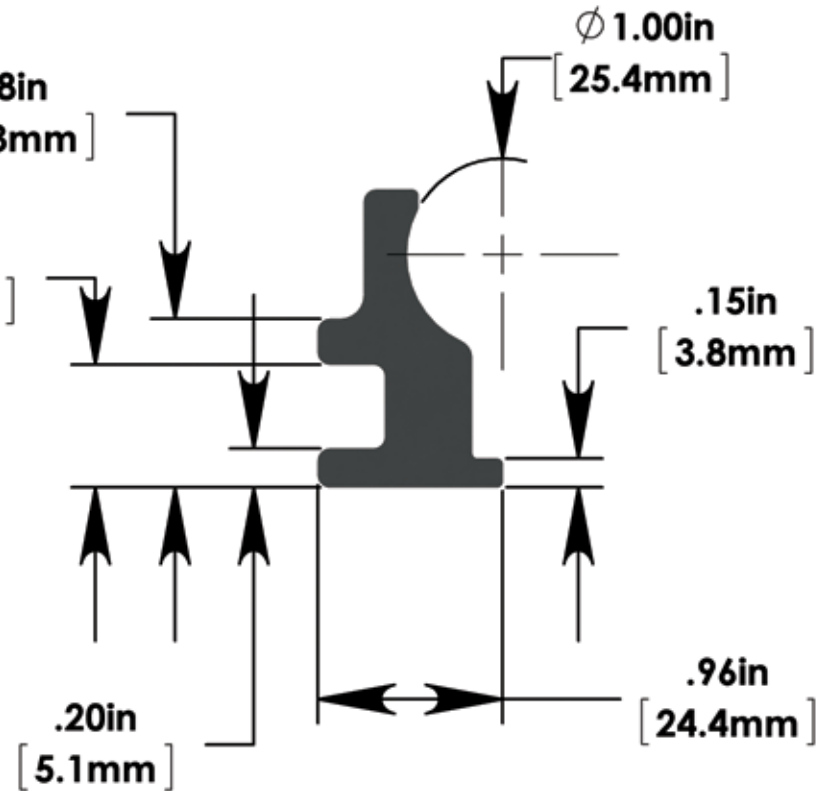
Hardware:

(2) 1/4-28 x 2 1/4" Socket Head Cap Screws [F]

(2) 1/4-28 Lock-nuts [A]



SCALE 1:1



Mount'n Mover™
by BlueSky Designs

mountnmover.com

Product:
Weight:

WC-R1, Round Clamp 1" (25.4 mm)
5.6 oz. (0.16 kg)

1-888-724-7002 (toll free) or 1-612-724-7002