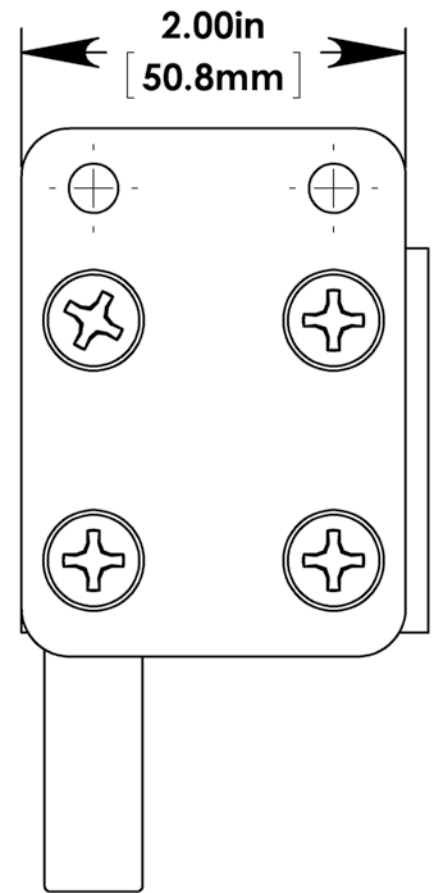


SCALE 1:1

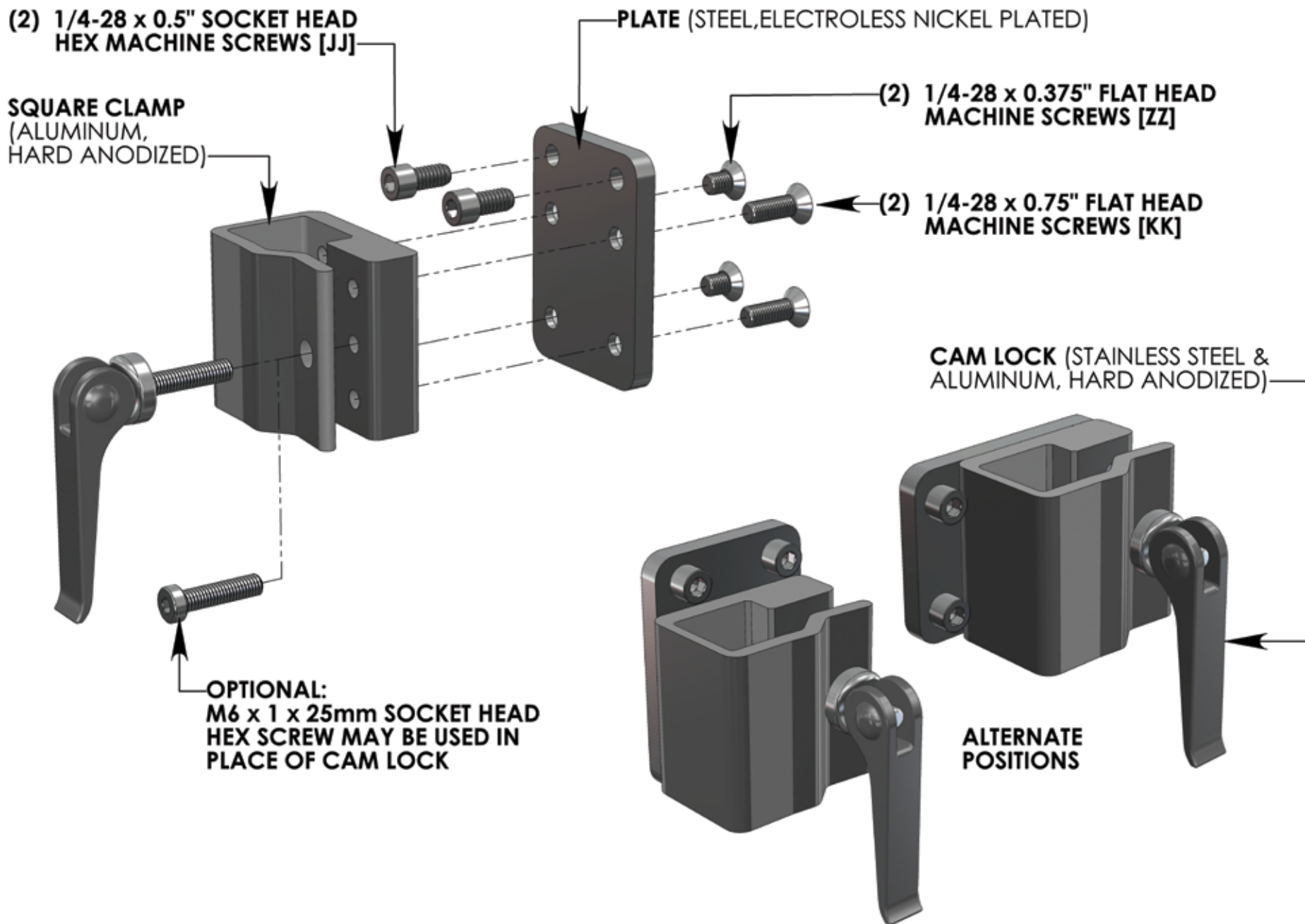


**Mount'n Mover™**  
by BlueSky Designs

[mountnmover.com](http://mountnmover.com)

**Product:** WB2, Wheelchair Bracket - Solid  
**Weight:** 11.6 oz. (0.33 kg)

1-888-724-7002 (toll free) or 1-612-724-7002



**Mount'n Mover™**  
by BlueSky Designs

[mountnmover.com](http://mountnmover.com)

**Product:** WB2, Wheelchair Bracket - Solid  
**Weight:** 11.6 oz. (0.33 kg)

1-888-724-7002 (toll free) or 1-612-724-7002