

# TR-IP (REV 2)

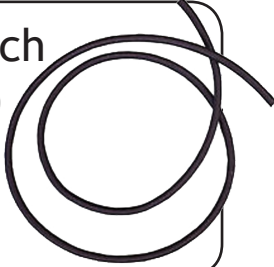
QRP to device plate or Tray  
8-32 x 1/4" (x4)



Cord Lock (x2)



Black Stretch Cord (36")

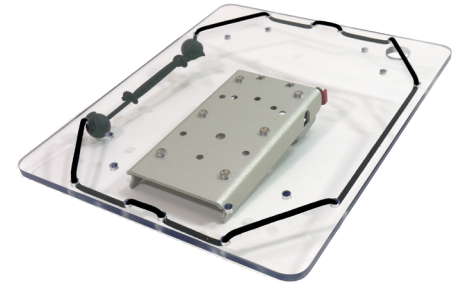
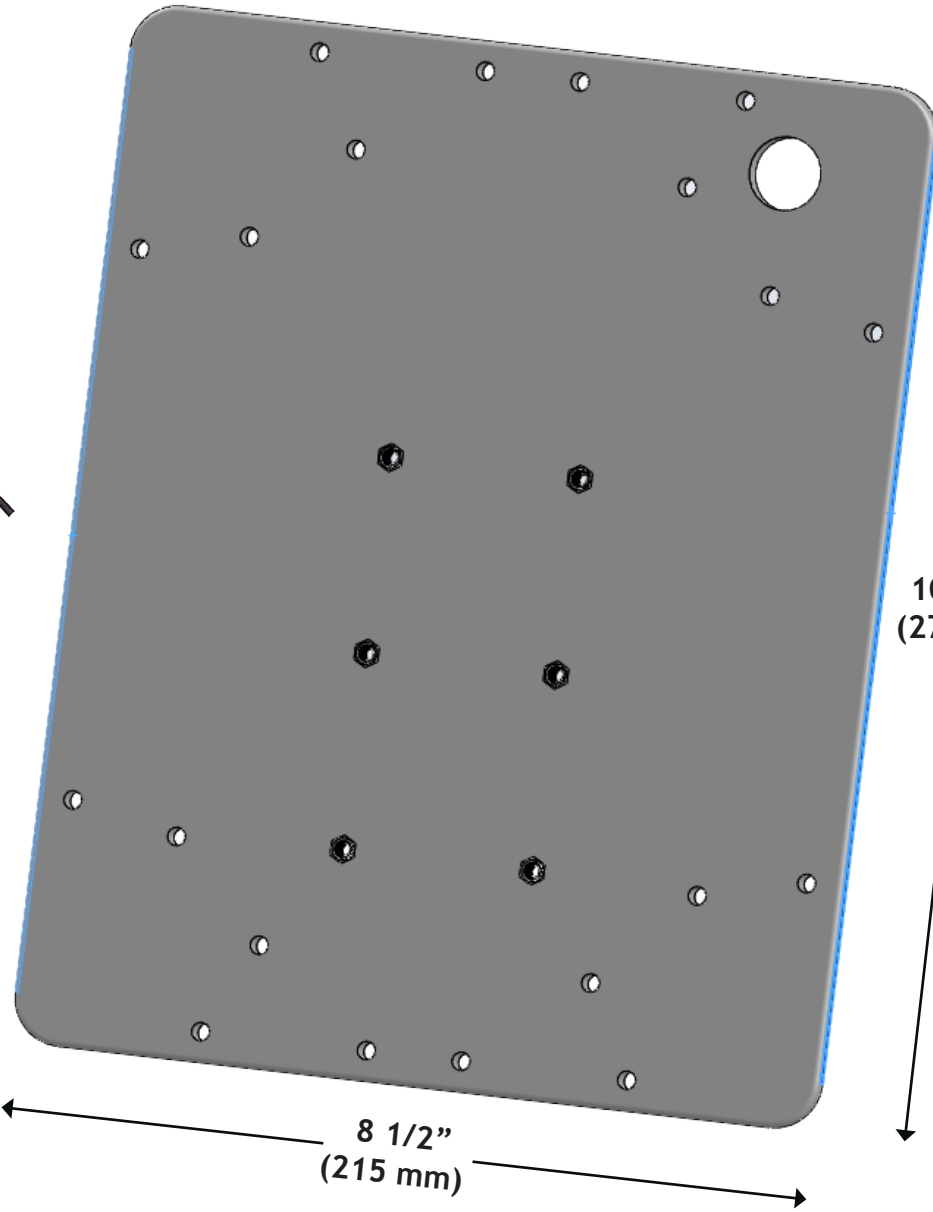


Optional Attachment accessories

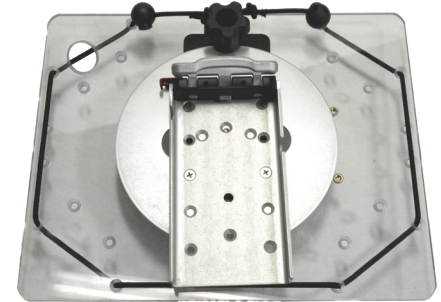
Velcro Strips (x2)



Adhesive back foam pad (x1)



**TR-IP-Q**  
( with Quick Release Plate )



**TR-IP-UR-Q**  
( with Universal Rotator and Quick Release Plate )

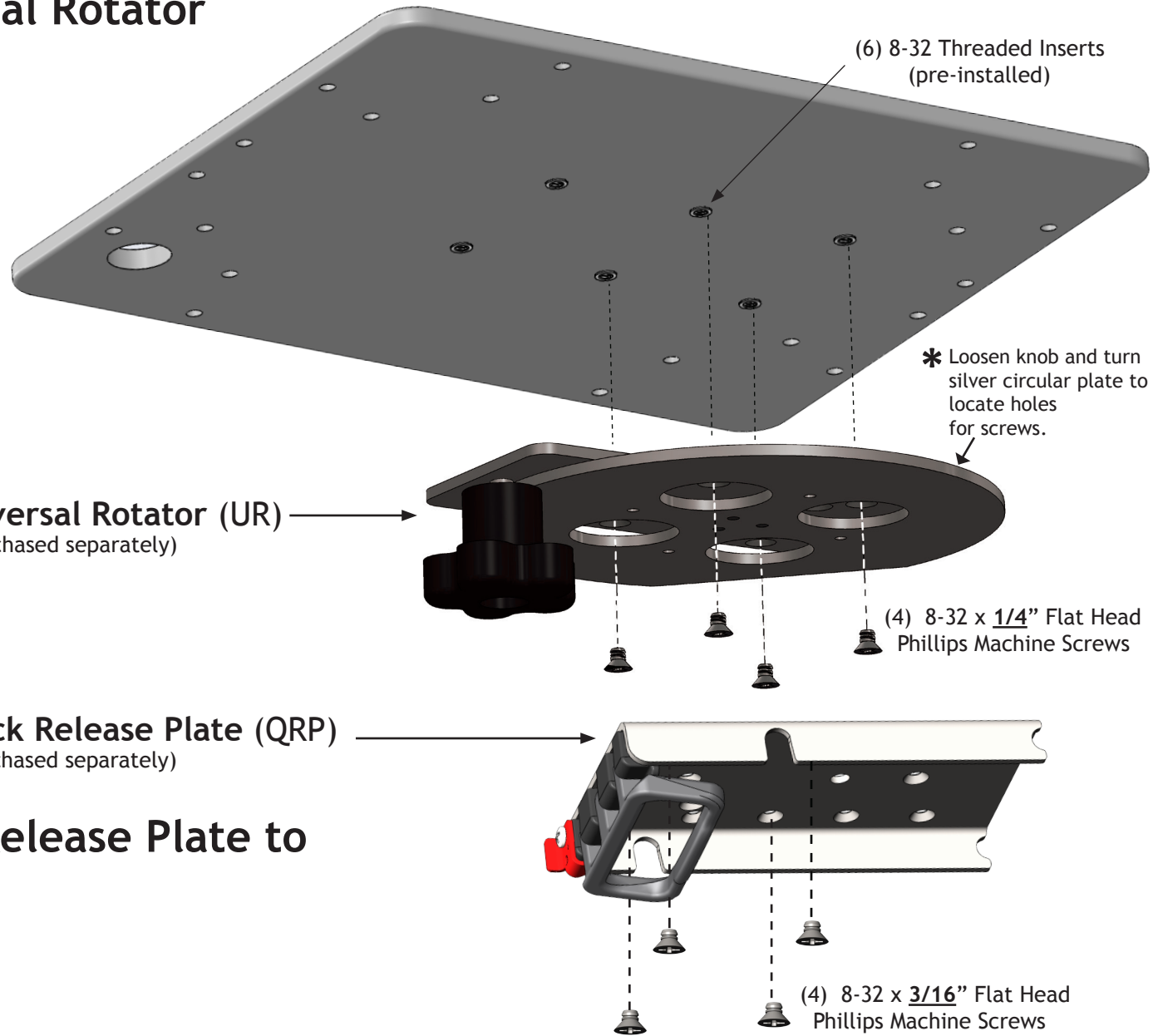
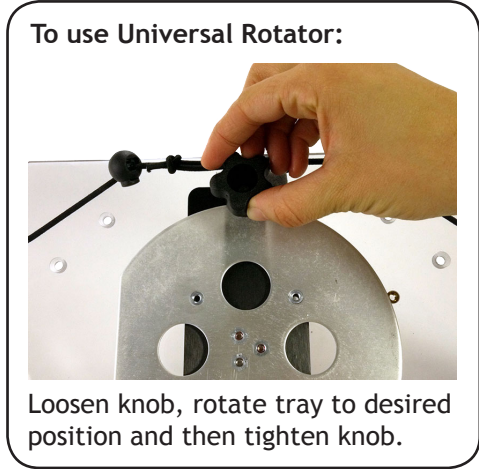
**Mount'n Mover™**  
by BlueSky Designs

[mountnmover.com](http://mountnmover.com)

Product: TR-IP REV2, iPad Tray  
Weight: 23.76 oz. (0.67 kg)

1-888-724-7002 (toll free) or 1-612-724-7002

# 1st Attaching the Universal Rotator (TR-IP-UR)



# 2nd Attaching the Quick Release Plate to the Universal Rotator (TR-IP-UR-Q)