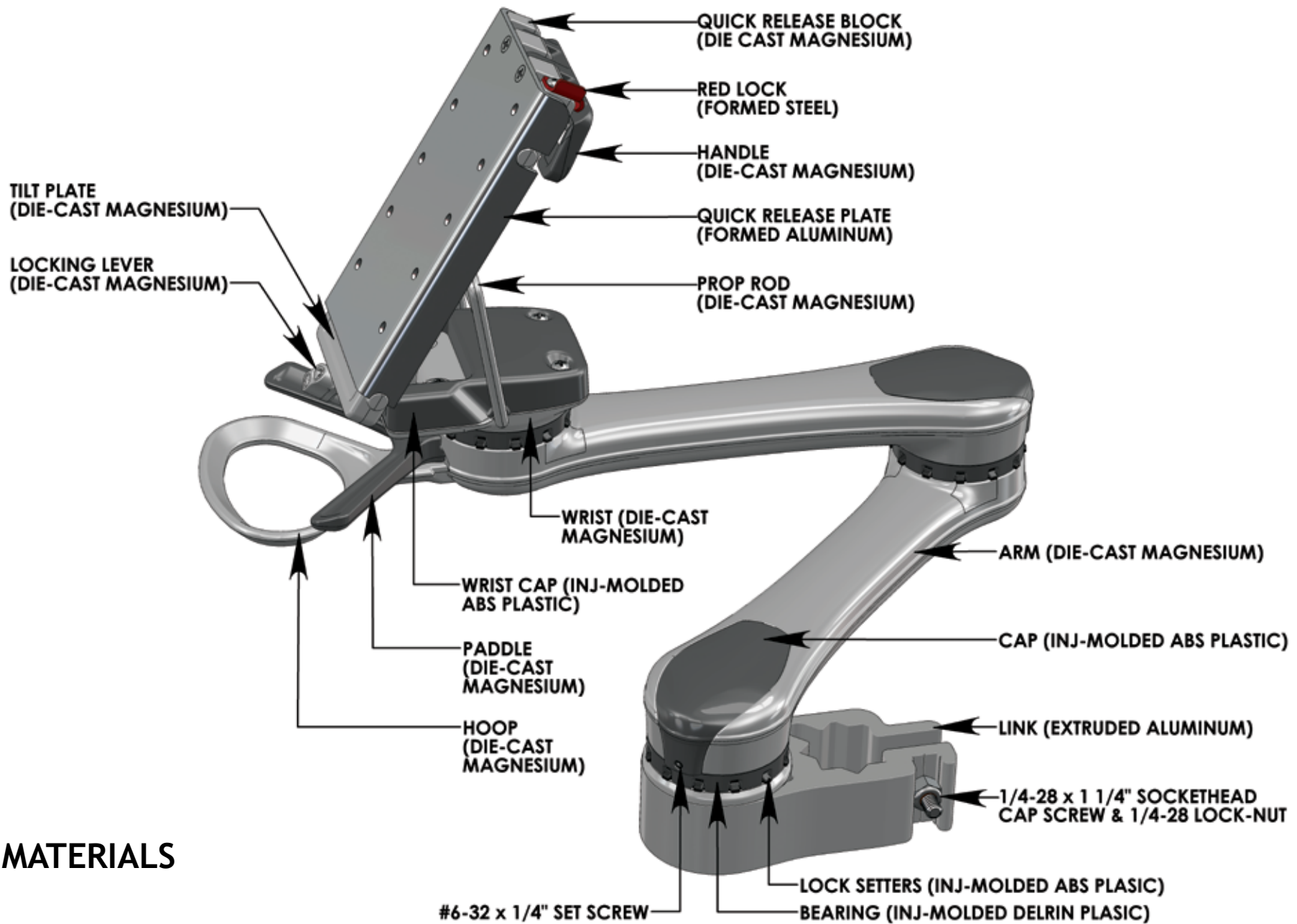


Mount'n Mover™
by BlueSky Designs

mountnmover.com

Product: M2-TQ-H, Dual Arm
Weight: 4 pounds 1 oz. (1.85 kg)

1-888-724-7002 (toll free) or 1-612-724-7002



MATERIALS