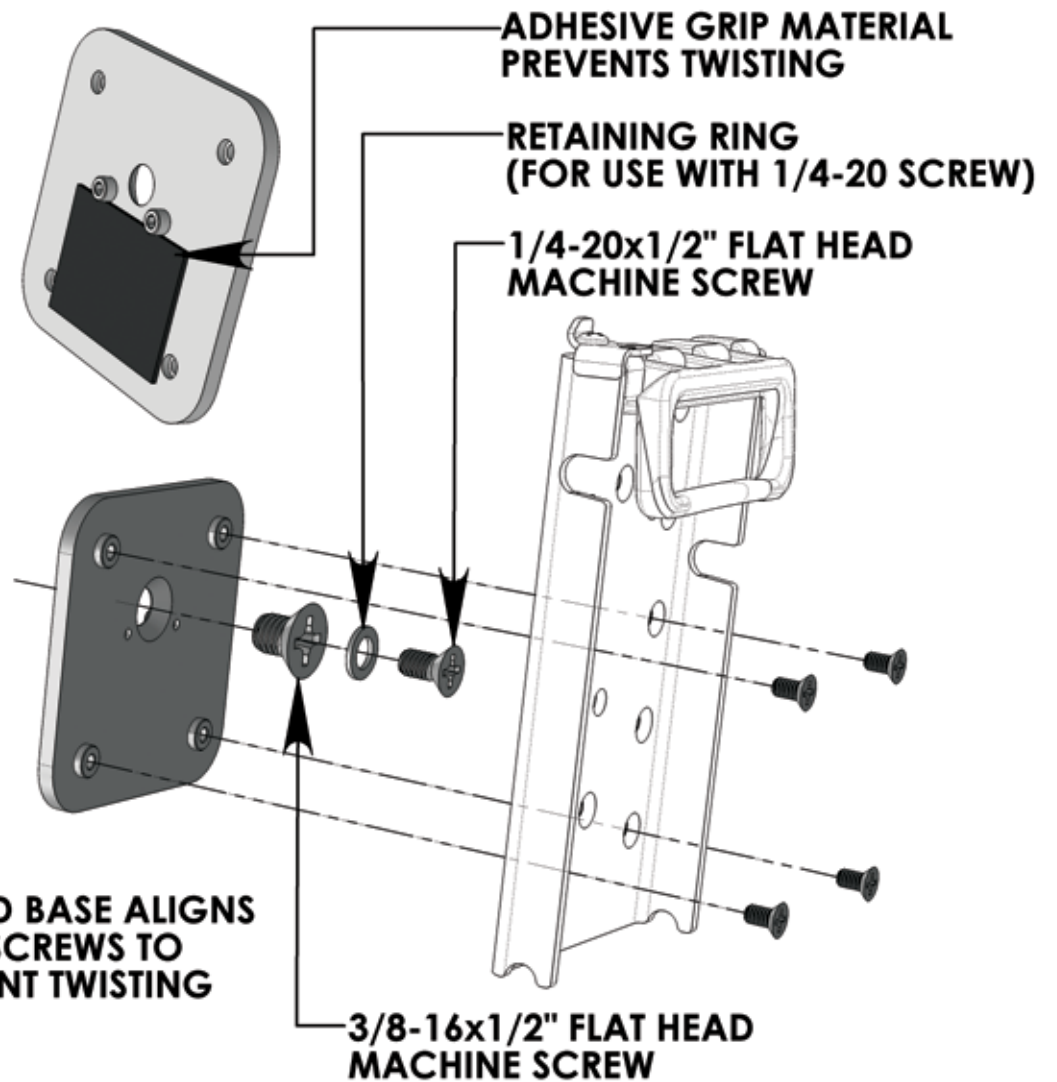


SCALE 1:1

TRIPOD BASE ALIGNS WITH SCREWS TO PREVENT TWISTING



3/8-16x1/2" FLAT HEAD MACHINE SCREW