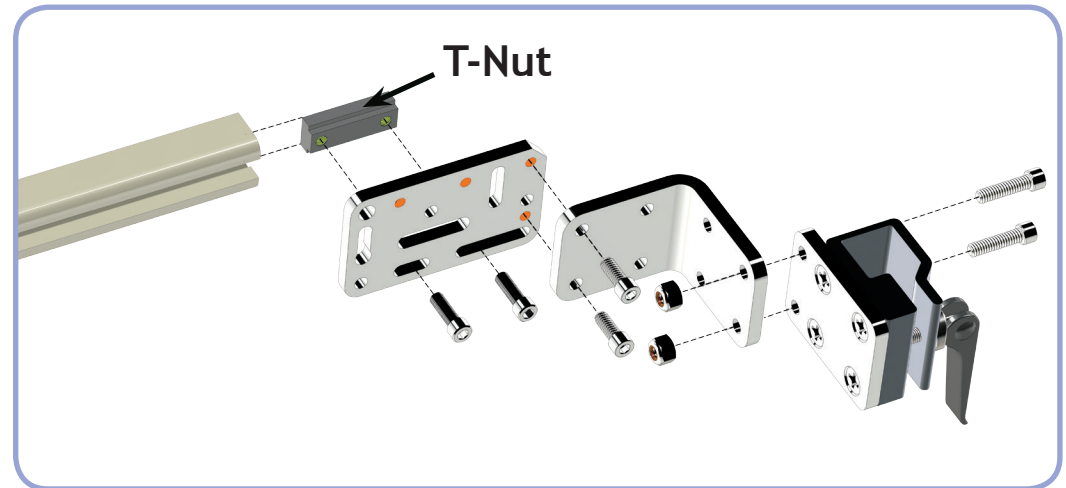
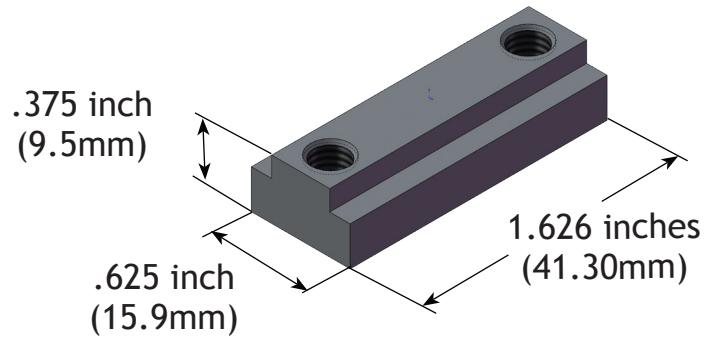


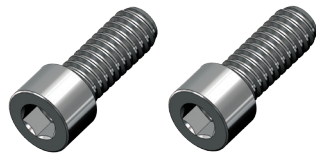
T-Nut (WC-TN) (for use with slide track)

Scale 1 : 1

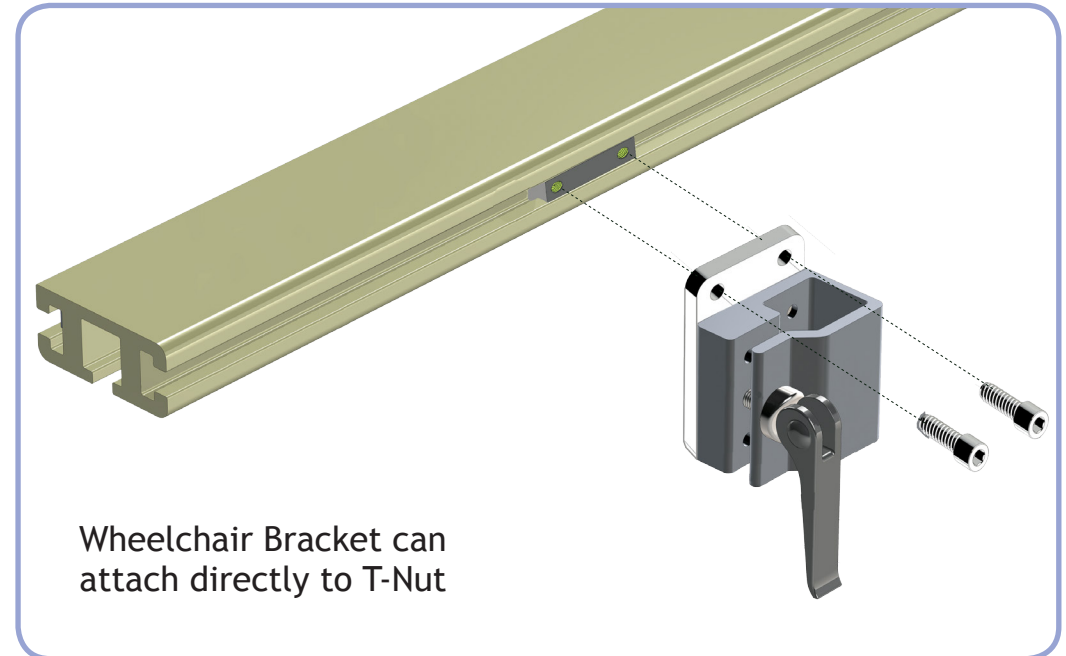


Set Includes:

- (1) T-nut
- (2) 1/4-28 x 5/8" Socket Head Cap Screw

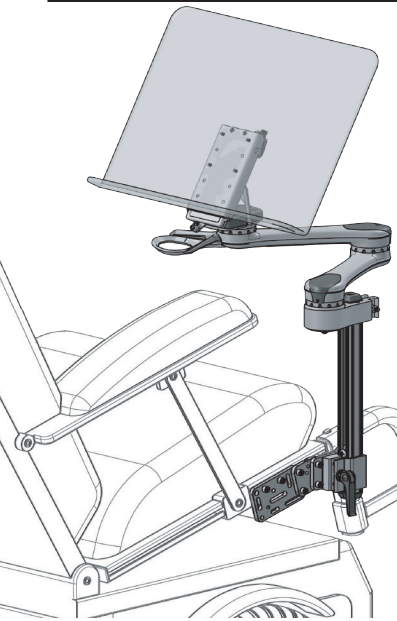


* T-Nut prior to May of 2015 used 1/4-20 screws



Wheelchair Attachment Overview

* All plates are considered 'multi-use plates' and can be configured, combined, and used in a variety of ways.



Start with a power or manual wheelchair

Anchor to Chair

* What you use will depend on what kind of chair frame you have.

- Round tubing
- Slide track
- Hole-spacing
- Tie-Down



Span the bridge clamps with a plate

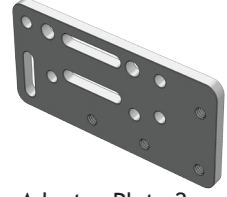
Bridge Clamps

Adapter Plate 2 (WC-AP2)

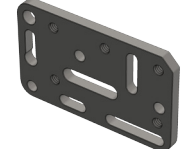
(WC-AP)

(WC-AP4)

OPTIONAL OFFSET



Adapter Plate 2 (WC-AP2)



Adapter Plate 4 (WC-AP4)

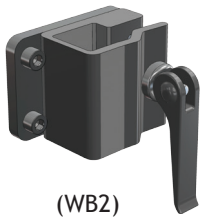


Angle Adjust Plate (WC-APAP)



L-Angle Extension Plate (WC-LAE)

Wheelchair Bracket



(WB2)

Or



(WB)

* Offset example

