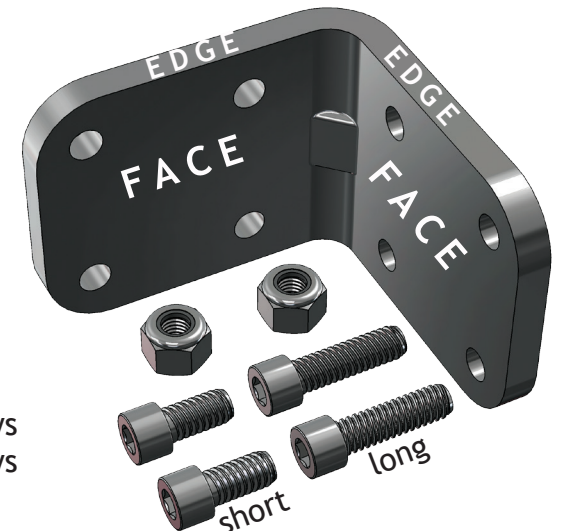
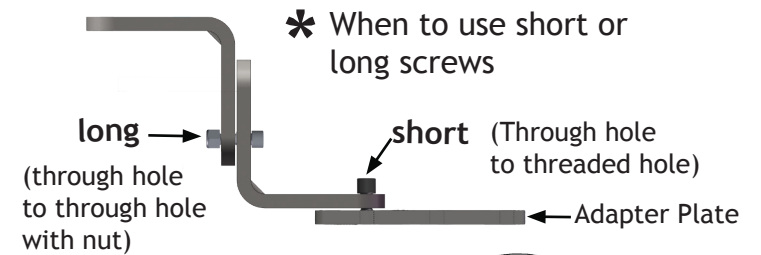
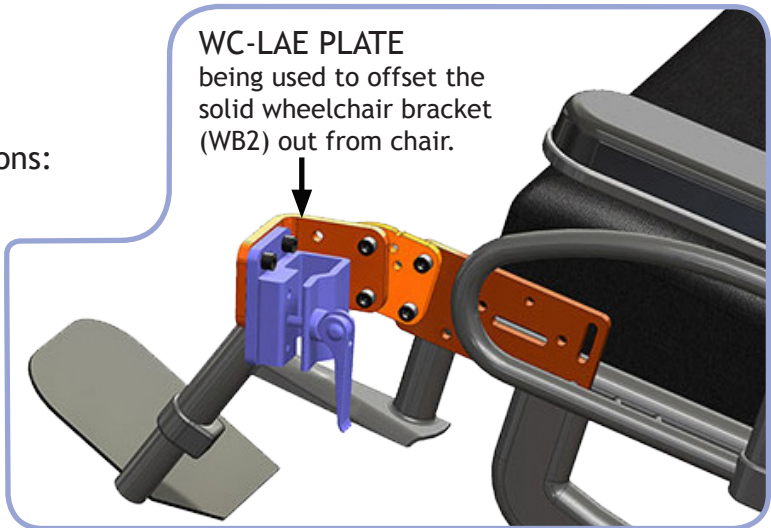
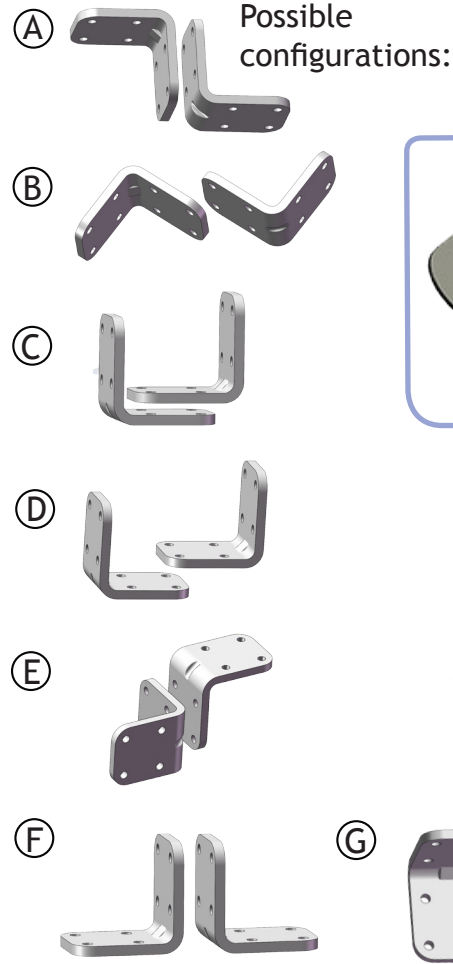
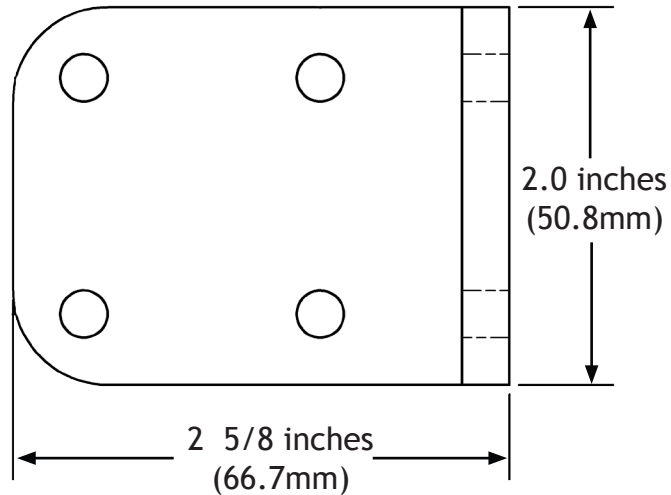
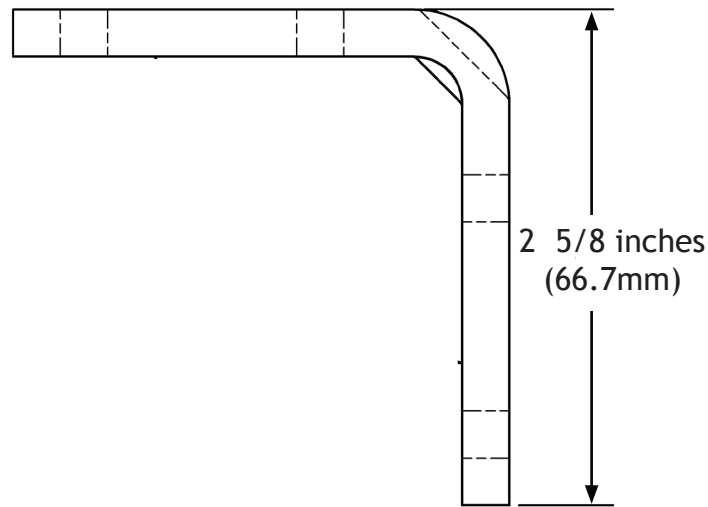


L-Angled Extension Plate (WC-LAE)

Scale 1 : 1



Set Includes:

- (1) L-Angled Extension Plate
- (2) 1/4-28 x 7/8" Socket head cap screws
- (2) 1/4-28 x 1/2" Socket head cap screws
- (2) 1/4-28 Lock-nuts

Wheelchair Attachment Overview

* All plates are considered 'multi-use plates' and can be configured, combined, and used in a variety of ways.

