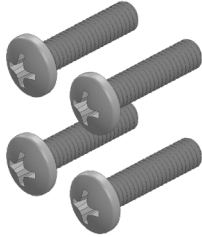


**Attaches to: All AMDI devices**

Device to  
device plate  
(DP-AMDI)

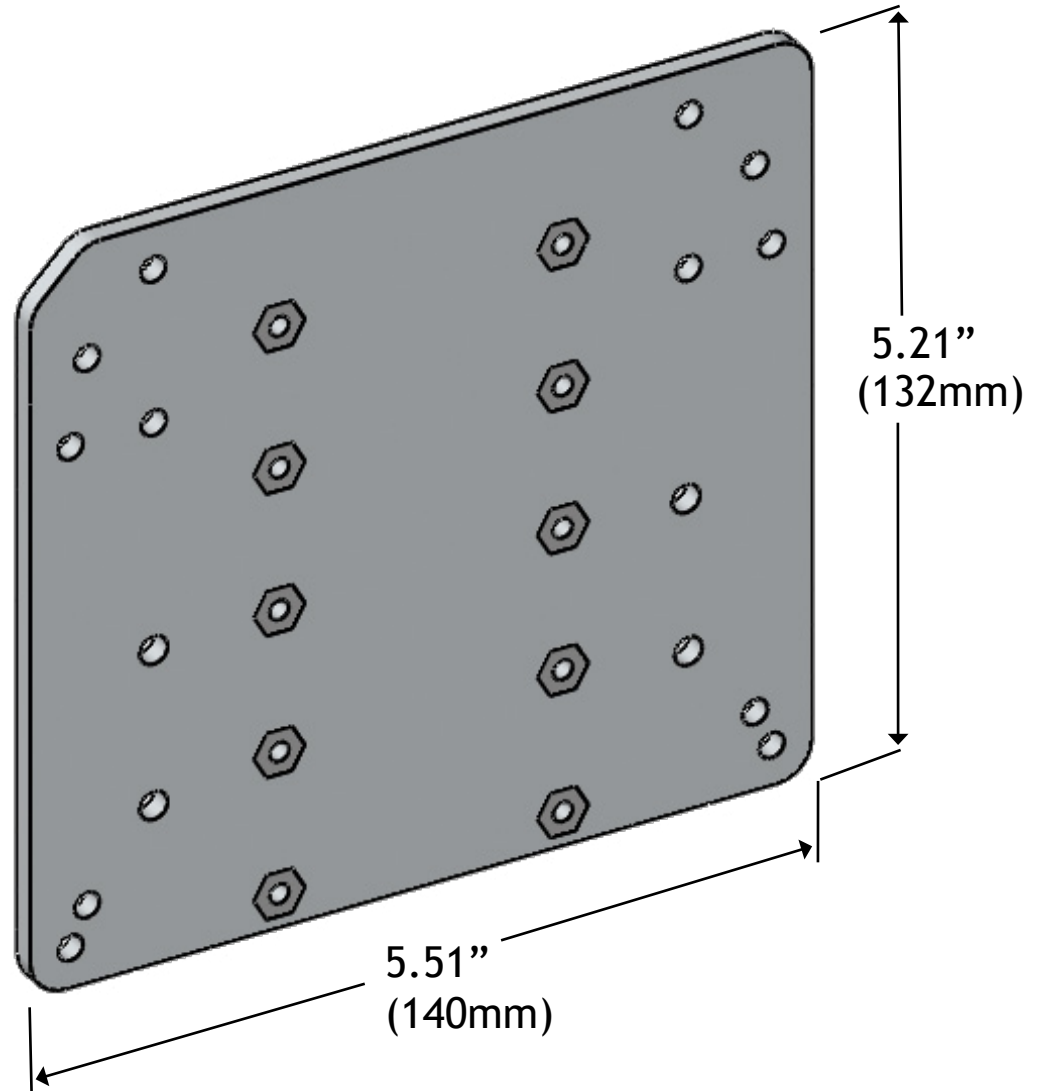


M4-.7 x 10mm (x4)

QRP to  
device plate

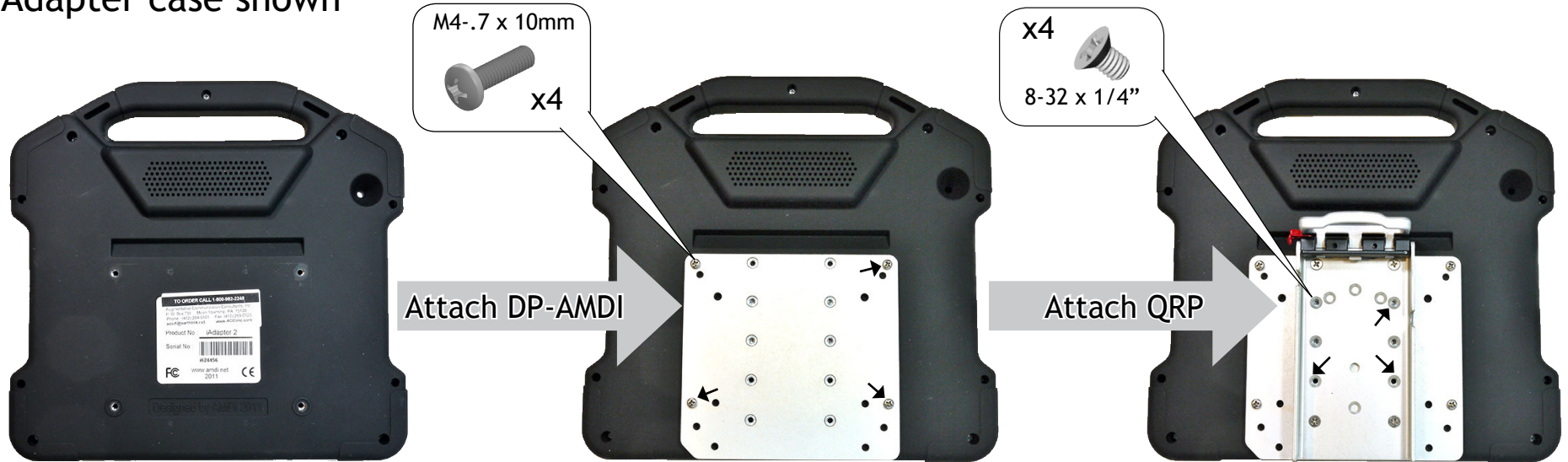


8-32 x 1/4" (x4)



# AMDI

iAdapter case shown



May be configured to work with or without our Universal Rotator (screws included)

option

Attach Universal Rotator



AMDI Adapter plate fits with all AMDI devices