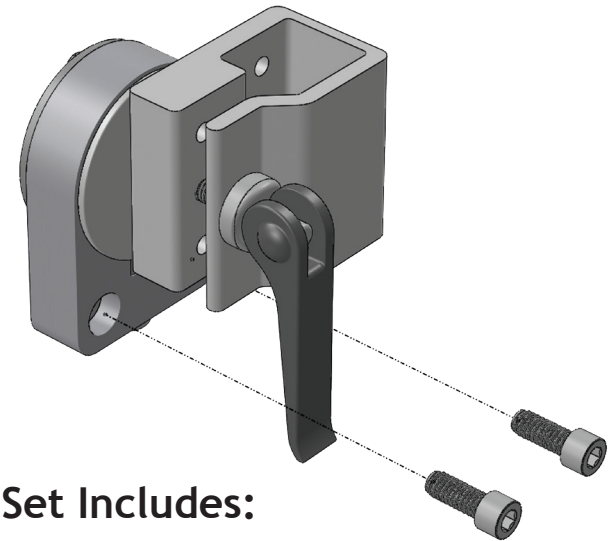
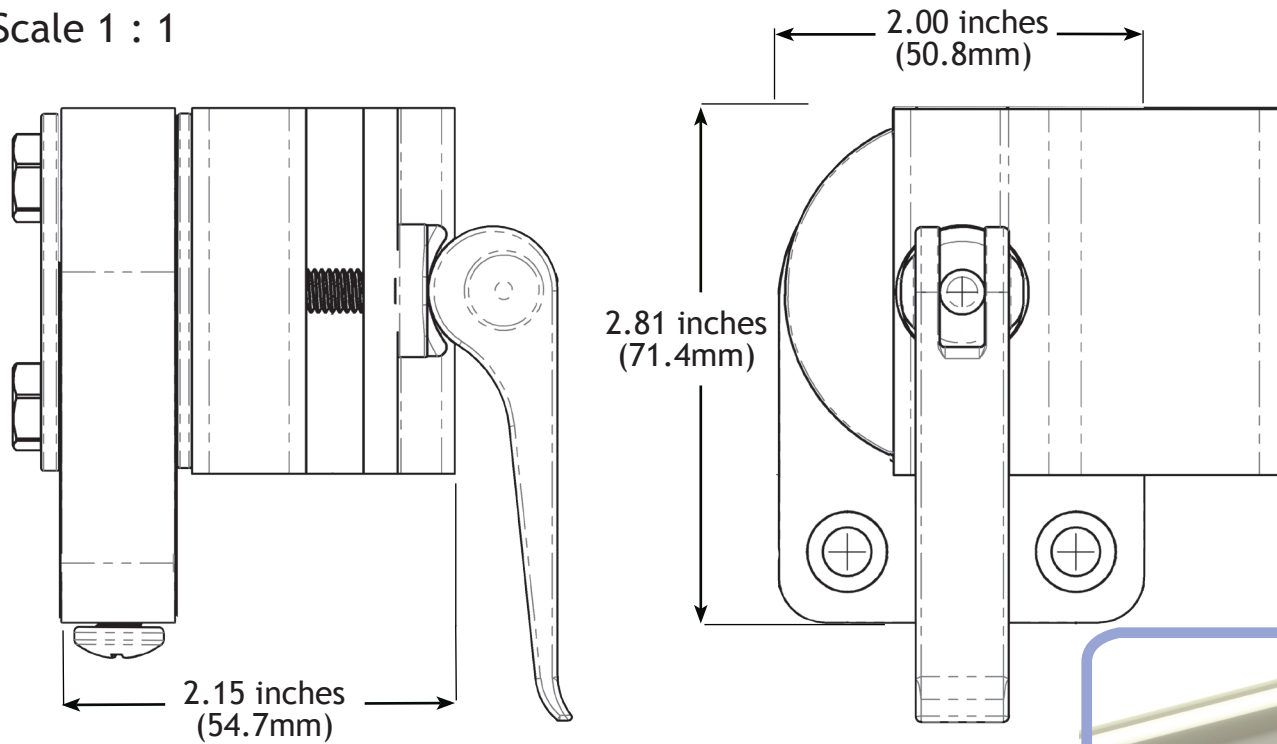


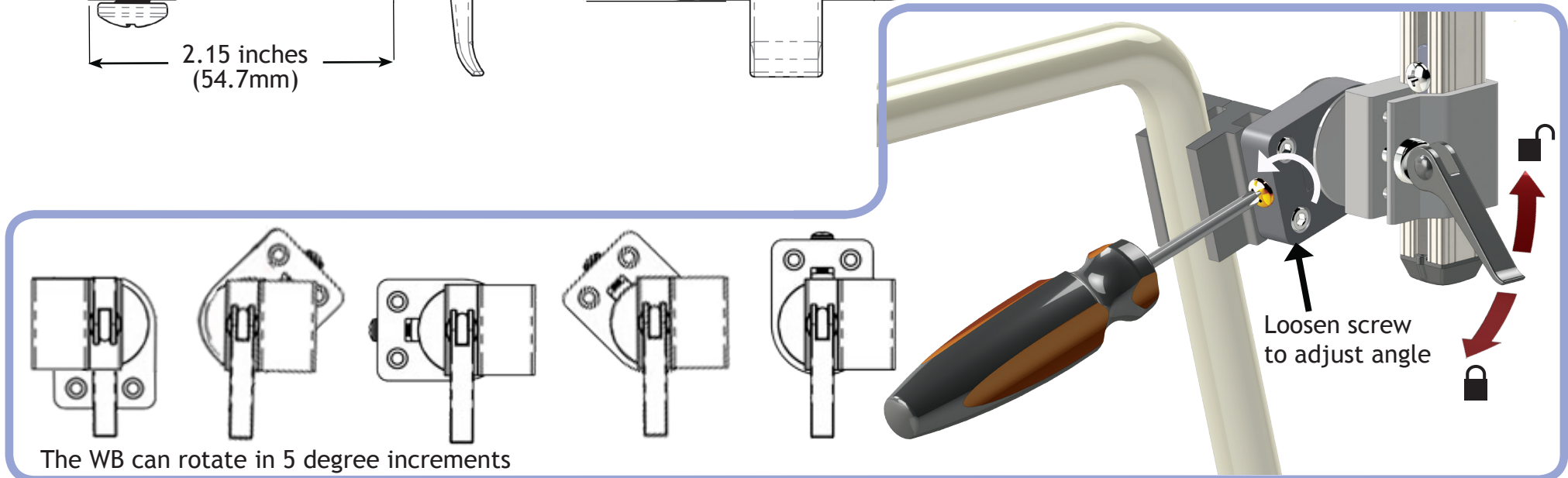
# Adjustable Wheelchair Bracket (WB)

Scale 1 : 1



## Set Includes:

- (1) Adjustable Wheelchair Bracket
- (2) 1/4-28 x 5/8" Socket Head Screws



The WB can rotate in 5 degree increments

**Mount'n Mover™**  
by BlueSky Designs

[mountnmover.com](http://mountnmover.com)

**Product:** WB, Wheelchair Bracket - Adjustable  
**Weight:** 11.8 oz. (0.33 kg)

1-888-724-7002 (toll free) or 1-612-724-7002

pg 1 of 2

# Wheelchair Attachment Overview

\* All plates are considered 'multi-use plates' and can be configured, combined, and used in a variety of ways.

